

## 8-Port Gigabit Managed BT PoE Switch with 2 SFP Slots

480W Total PoE Power Budget, Fanless, L2, Perpetual PoE

### UTP7308GE-BTPoE



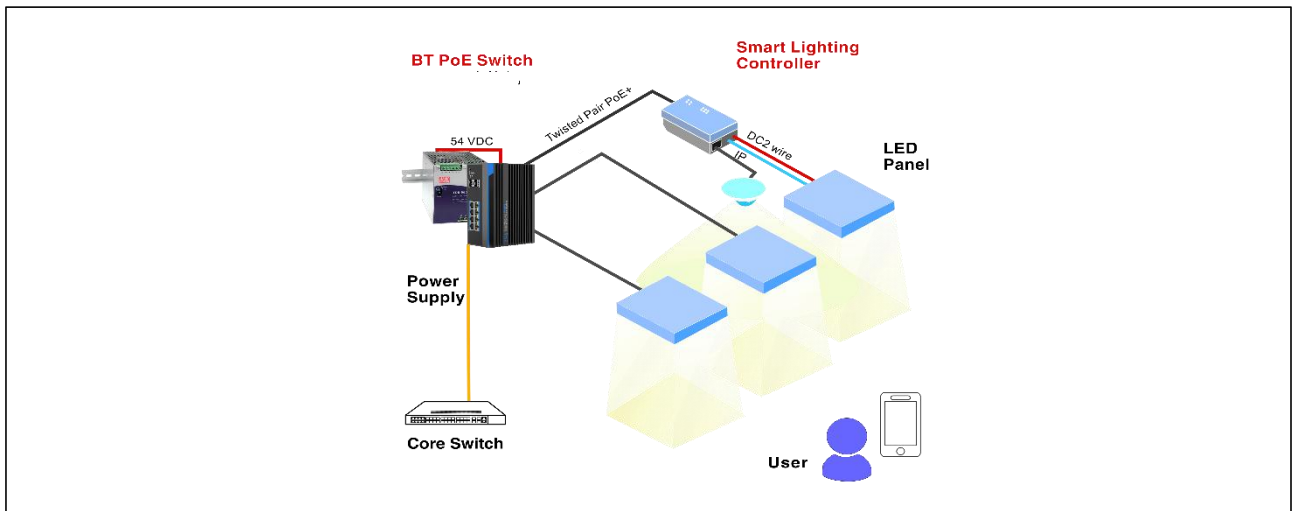
- 8\*10/100/1000Mbps Ethernet PoE port +2\*1000Mbps SFP Slots.
- Port 1-8 support IEEE802.3af/at/bt.
- Total PoE power budget is 480W, max PoE power for single port is 90W.
- Support Perpetual PoE and PoE watchdog.
- Support management function including DHCP, Fast-Ring, IPv6, etc.
- Support 1CH relay alarm output, fanless, wave metal shell, and low power consumption design.
- Support installation of DIN rail and wall mounted, adapting to all kinds of environments.



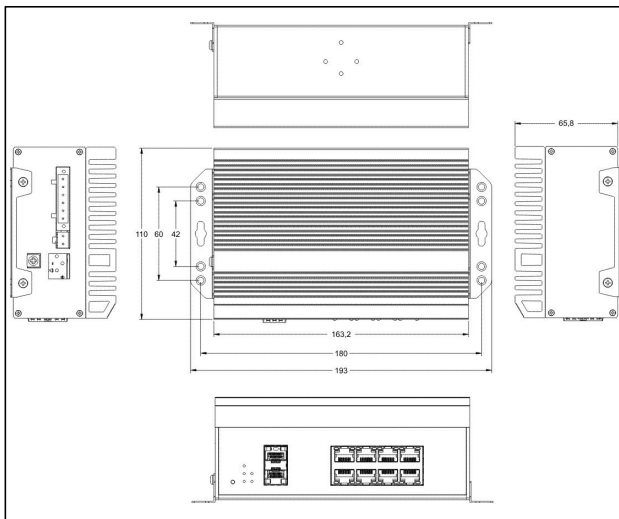
### Introduction

UTP7308GE-BTPoE, full gigabit Managed Industrial BT PoE switch, provides 8\*10/100/1000Base-T Ethernet PoE port and 2\*1000Base-X SFP Slots. And the port 1-8 support IEEE802.3af/at/bt, and Perpetual PoE technology. The max transmission distance is up to 250 meters. The switch also supports abundant L2 managed function, including IGMP Snooping QVLAN, QoS, DHCP and Fast-ring and PoE control. In addition, the switch could be applied to lighting industry, security monitoring, enterprise park and other applications.

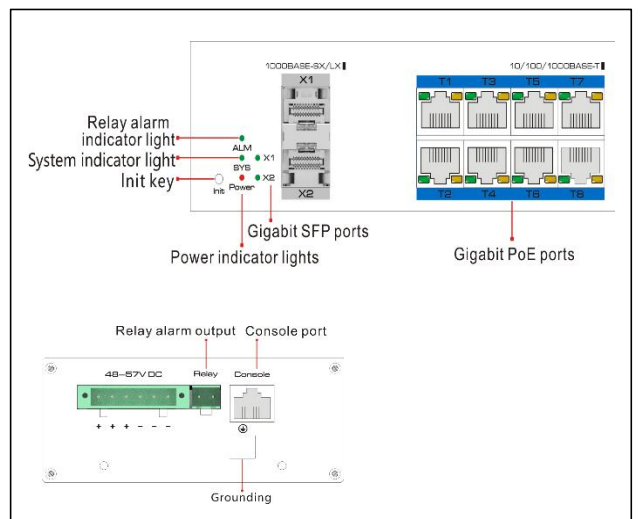
### Application



### Physical Features



### Interface drawing



## Hardware Specification

Model		UTP7308GE-BTPoE
<b>Physical Port</b>		
Downlink Ports	8*10/100/1000Base-T (PoE)	
Uplink Ports	2*1000Base-X SFP Slots	
Alarm Output	One channel relay alarm output, 1A@DC 12V, 2 cores, 5.08mm terminal	
LED Indicator	8*Link/Act (Green), 8*PoE (Orange), 1*PWR (Red)	
<b>Switching Feature</b>		
Standard and Protocols	IEEE802.3 , IEEE802.3u, IEEE802.3ab, IEEE802.3Z, IEEE802.3X, IEEE 802.1D, IEEE 802.1af/at/bt	
Switching Capacity	20Gbps / non-blocking	
Packet Forwarding Rate	14.9Mpps	
Buffer	4Mbit	
MAC Address Table	16K	
Jumbo Frame	10K bytes	
<b>PoE</b>		
PoE Standard	802.3af/at/bt(PSE)	
PoE Line Pair	1/2/4/5(+), 3/6/7/8(-)	
PoE Output Power	PoE output power for single port≤90W, Total PoE power budget≤480W	
<b>Power Supply</b>		
Input Voltage	DC 48V-57V	
Power Consumption	≤20W (Not include PoE)	
<b>Environment</b>		
Surge Immunity	6KV Execute: IEC61000-4-5	
ESD Immunity	6KV: Contact discharge 15KV: Air discharge Execute: IEC61000-4-2	
IP Grade	IP40	
Operating Temperature	-10-55°C	
Storage Temperature	-40-85°C	
Operating Humidity	5%-95% (Non-condensing)	
<b>Physical Parameter</b>		
Dimension ( L×W×H )	159mm×110mm×46.5mm	
Weight	1558g±20g	
Material	Aluminium alloy	
Installation	DIN rail / Wall mounted	
Number of Fans	N/A	
Certification	CE, FCC	

Software Specification

<b>L2 Function</b>	<b>PoE Management</b>	Perpetual PoE: The PoE is kept enabled and supplying power to PD even if you press the "reboot" for the switch, which reduces the problem of PD power failure caused by restart.
		Support total power consumption control
		Support PoE ON/OFF
		Support priority of port output power
	<b>Port</b>	Support port isolation and rate settings
		Support port storm suppression
		Support IEEE802.3x flow control
		Support port adaptation and traffic statistics
	<b>LACP</b>	Static LACP, Dynamic LACP
	<b>VLAN</b>	Support 4K VLAN
		Support 802.1Q Protocol-based VLAN
		Support Port-based VLAN
	<b>QoS</b>	Support QoS congestion management
		Support 8 hardware priority queues
		Support WRR
		Support 820.1P and DSCP priority
	<b>ERPS</b>	STP/RSTP
		Fast-ring
	<b>DHCP</b>	Support DHCP server
		Support DHCP snooping
		Support DHCP relay
	<b>IGMP</b>	Support IGMP SnoopingV1/V2
	<b>Security</b>	Support RADIUS authentication
		Support 802.1X authentication
	<b>System Management</b>	Support WEB management, configuration through Telnet, SSH
		Support FTP/TFTP/HTTP upgrading
		Support MAC address tables and traffic statistics
		Support IP address, DNS server change
Support username& password change		
Support history record, journal management		
Support system settings backup		
Support factory default settings and restart		

Package List

Item	Quantity
PoE Switch	1
Power Supply (Not included by default)	Optional
DIN-rail Mounting Kits	1
Hanging Bracket	1
User Manual	1
Warranty Card	1

Related Products

Item	Model
Gigabit PoE Injector (95W)	UTP7201GE-PSE95